



@ansell\_lighting

ansellighting

Ansell Lighting

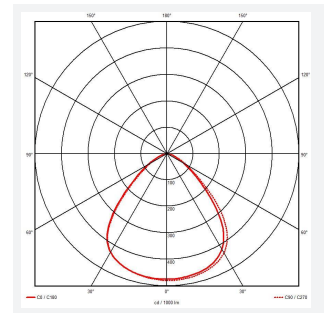
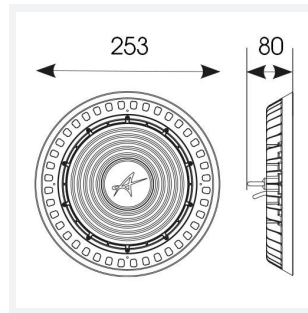
ansell\_lighting

<b>Category</b>	High/Low Bay
<b>Application</b>	Ancillary, Hospitality, Industrial, Retail
<b>Specification</b>	Performance

# Z LED ECO

## Z LED ECO Highbay 1 Daylight

**Code:** AZLE1/1/DL



### PRODUCT FEATURES

- Sleek and robust LED low/high bay for industrial applications and ancillary areas
- Lensed diffuser design helps to control the beam angle, offering better light distribution
- Integral on-board driver reduces the overall size and weight of product, resulting in a slim, lightweight and easy to install unit
- Alternative installation options by means of drop rods, jack chain and catenary wire.
- Die-cast powder coated construction and heatsink for optimum thermals and performance
- High efficiency up to 120lm/w
- Installation eye-bolt supplied as standard
- IP66 and IK09 ratings

### GENERAL INFORMATION

Wattage	100W
Lumens Delivered	11000lm
Lm/W	120lm/w
Beam Angle	90
CRI	80
CCT	6500K
Input	220/240V
Operating Temp	-45°C - 45°C
SDCM	6
UGR	28
Energy efficiency class	E
Product Weight without Packaging	0.84 kg

### TECHNICAL INFORMATION

Light Source	LED
Colour / Finish	Black
IP Rating	IP66
Class Protection	1
Internal / External	Internal / External
Surface / Recessed / Suspended	Suspended
Lumen Depreciation	L80 54,000h
Warranty (Years)	3
CE Mark	Yes
Diameter	253 mm
Height	80 mm